

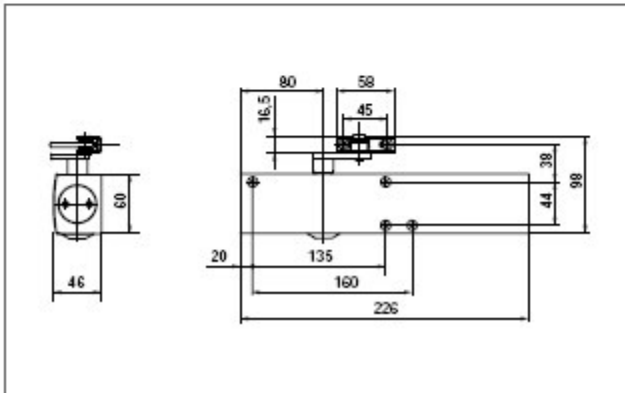
DOOR CLOSER

GEZE TS 4000

Surface-mounted rack and pinion door closer,
closing force size 1-6 and size 5-7 according to EN 1154

Product features

- ▶ Closing force size EN 1-6 and size EN 5-7 adjustable
- ▶ Closer in only one construction size
- ▶ Optical power size indicator
- ▶ Backcheck and thermo constant closing speed adjustable at front
- ▶ Latching action adjusted via link arm
- ▶ Safety valve in open and close direction

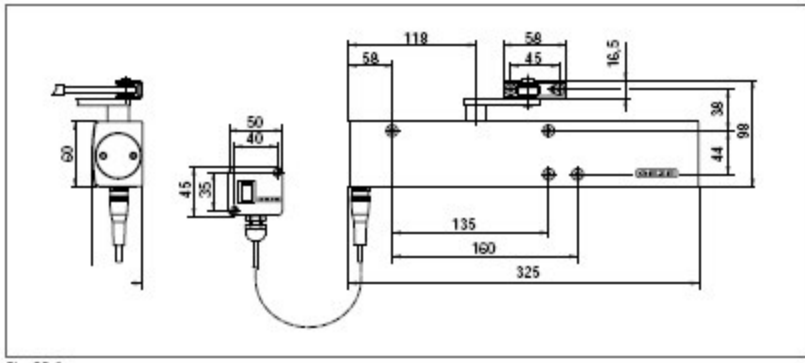


GEZE TS 4000 E

Overhead door closer with electrohydraulic hold-open according to EN 1155, closing force size 1-6

Product features

- ▶ Closing force size EN 1-6 adjustable
- ▶ Closer in only one construction size
- ▶ Optical power size indicator
- ▶ Thermo constant closing speed adjustable at front
- ▶ Latching action adjustable via link arm
- ▶ Infinitely variable hold-open angle between 60° and 180°
- ▶ Operating voltage 24 V DC
- ▶ Low power consumption approx. 1 Watt
- ▶ Same fitting hole pattern as all GEZE TS 4000 closers



Technical Specification

Maximum door width available upto 1400mm

Available for fixing to push (Fig 66), pull side of the door (Fig 1), and frame fix (Fig 61).

Integrated door selector option available in lieu of conventional mechanical door selector which is more reliable and reduces damage to the top of the leaf

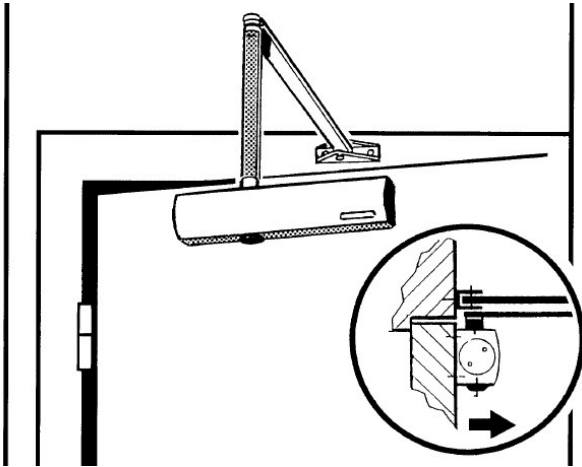


Fig 1 Arrangement (pull side) leaf mounted

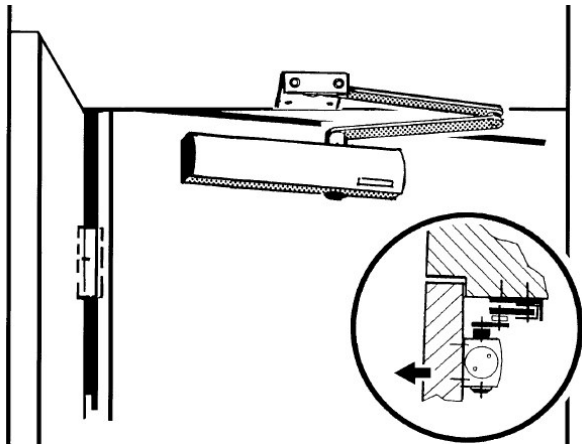


Fig 66 Arrangement (Push side) leaf mounted

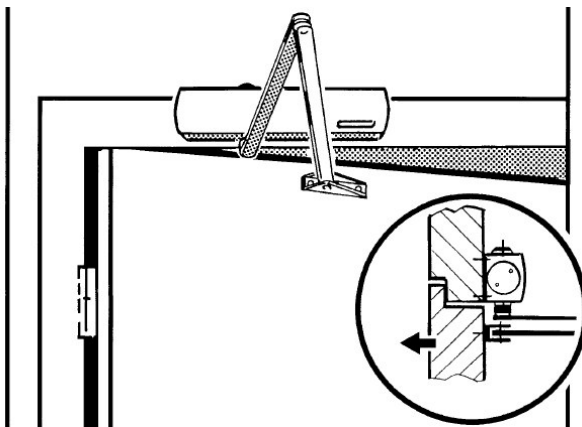


Fig 61 Arrangement (Push side) Frame mounted

Cover caps for door closer

For GEZE door closer GEZE TS 2000 V and TS 4000 cover caps are as follows available:

▶ silver



▶ dark bronze



▶ white RAL 9016



▶ polished brass



▶ stainless steel



▶ RAL colour: red



▶ RAL colour: blue



▶ RAL colour: yellow



▶ RAL colour: black

