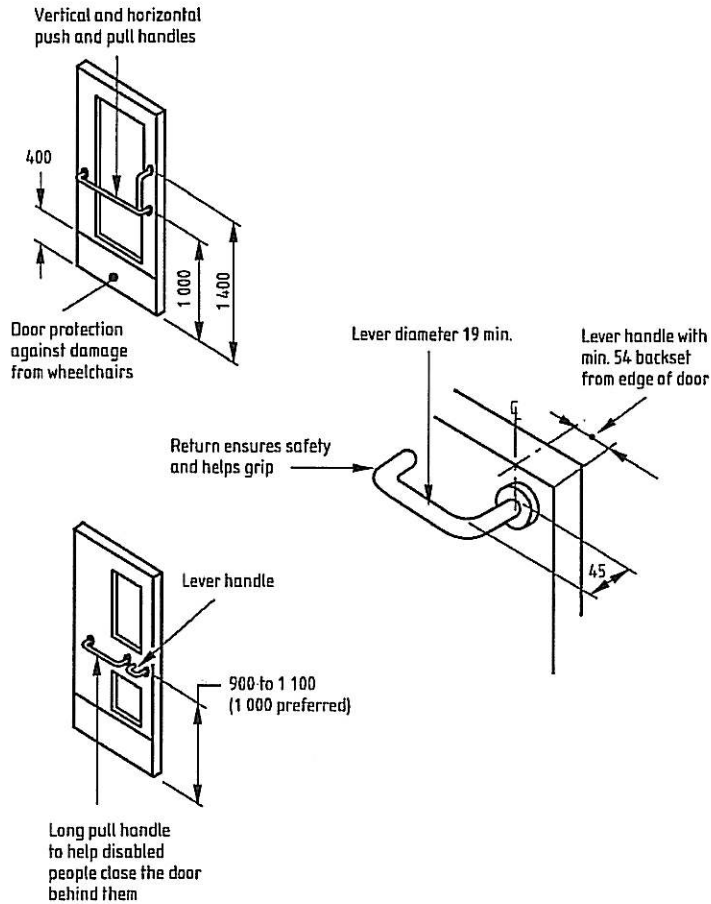
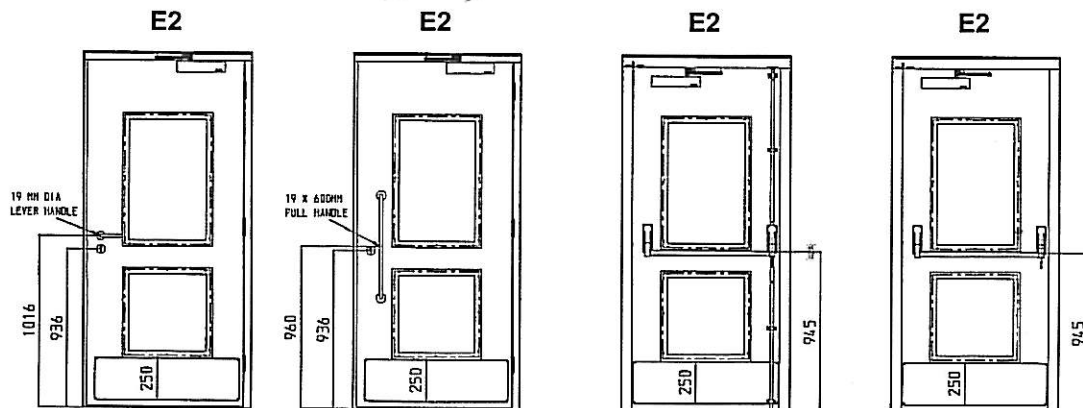


BS8300:2001 6.5.1 Door Opening Furniture Regulation



Prima Doors Options to Comply



If a door has no closing device, an additional item of door furniture (such as a long horizontal pull handle) should be provided on the push side of the door to help a disabled person to close the door behind them.